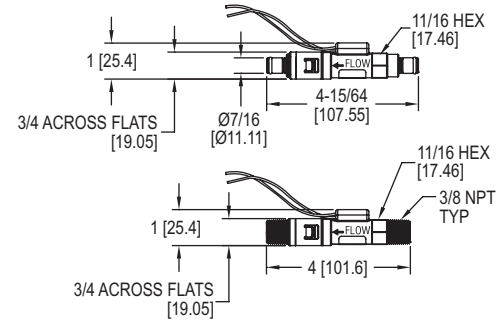
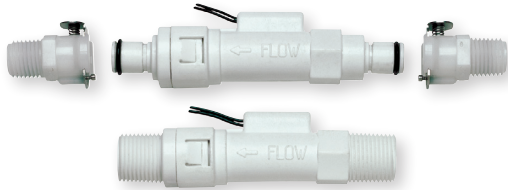


POLYPROPYLENE FLOW SWITCHES

Fixed Set Points from 0.25 to 2.0 GPM, 3/8" NPT or "Quick Disconnect" Adapters



The **Series P3 Polypropylene Flow Switches** fit almost any piping requirements with compatible liquids. Choose the inlet and outlet port to be 3/8" male NPT or 1/4" male "Quick Disconnect" then select a quick disconnect acetal adapter for straight through flow or with a shut off valve.

FEATURES/BENEFITS

- Piston design incorporates a hermetically sealed SPST magnetic reed switch
- Easy integration to existing piping with a variety of fitting options
- Selectable shut off valve will stop line flow when the adapter is removed from the switch
- Economical design

APPLICATIONS

- Pure water equipment
- Filter life monitoring
- Heat exchangers
- Cooling applications

MODEL CHART		
Model	Connection	Actuation Set Point
P3-31	3/8" NPT	0.25 GPM (.95 LPM)
P3-32	3/8" NPT	0.50 GPM (1.89 LPM)
P3-33	3/8" NPT	1.0 GPM (3.79 LPM)
P3-34	3/8" NPT	1.5 GPM (5.68 LPM)
P3-35	3/8" NPT	2.0 GPM (7.57 LPM)
P3-41	Quick disconnect	0.25 GPM (.95 LPM)
P3-42	Quick disconnect	0.50 GPM (1.89 LPM)
P3-43	Quick disconnect	1.0 GPM (3.79 LPM)
P3-44	Quick disconnect	1.5 GPM (5.68 LPM)
P3-45	Quick disconnect	2.0 GPM (7.57 LPM)

SPECIFICATIONS

Service: Compatible liquids.
Wetted Materials: Housing: Polypropylene; Piston: PPS composite; Spring: 316 SS; O-ring: Fluorocarbon.
Temperature Limits: 0 to 212°F (-18 to 100°C).
Pressure Limits: 125 psig (8.6 bar) @ 70°F (21°C), 50 psig (3.4 bar) @ 212°F (100°C).
Accuracy: 20% of set point.
Repeatability: ±1%.
Switch Type: SPST, NO.

Electrical Rating: .08 A @ 120 VAC.
Electrical Connection: 24" (60.96 cm), polymeric wire leads, 22 AWG.
Process Connection: 3/8" male NPT or 1/4" quick disconnect.
Mounting Orientation: Any position. Set points shown are based on vertical, inlet down position.
Required Filtration: 100 microns or better.
Weight: 5 oz (0.14 kg).

ADAPTERS

Model	Connection
P3-801	Quick disconnect straight through 1/4" NPT
P3-802	Quick disconnect straight through 1/4" BSPT
P3-804	Quick disconnect straight through 3/8" BSPT
P3-807	Quick disconnect straight through 1/4" ID tubing
P3-901	Quick disconnect straight through 1/4" NPT w/shut-off valve
P3-902	Quick disconnect straight through 1/4" BSPT w/shut-off valve
P3-907	Quick disconnect straight through 1/4" ID tubing w/shut-off valve

Flow Switches,
Shut-off/Piston